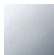






27 632 811



- 167mm projection
- spout: rectangular normal flow
- max. flow 23.8 l/min at 3 bar flow pressure
- Hand shower: COMPACT RAIN, max. flow rate 6.8 l/min (at 3 bar)
- complete hand shower set with anti-scale system
- automatic bath/shower diverter
- height of mixer 198 mm
- height up to aerator 133 mm
- hole diameter spout 28 mm
- hole diameter for complete hand shower set 32 mm
- rosette for mixer 60 x 60mm
- rosette for complete hand shower set 60 x 60mm
- metal shower hose 1750mm with integrated anti-twist protection

Intrinsic protection against back flow.

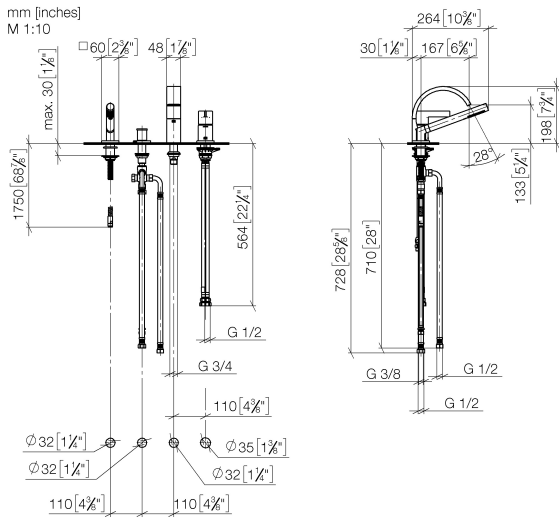
|   |                                   |               |
|---|-----------------------------------|---------------|
|  | Chrome                            | 27 632 811-00 |
|  | Brushed Platinum                  | 27 632 811-06 |
|  | Dark Chrome                       | 27 632 811-19 |
|  | Brushed Durabronze<br>(23kt Gold) | 27 632 811-28 |
|  | Brushed Dark<br>Platinum          | 27 632 811-99 |

**Recommended miscellaneous**



**Perfecto installation kit - 12 614 970 90**

27 632 811



**Flow rate chart**



**Certificates**

LGA\_38124. IAPMO\_4976 (6). WRAS\_2204006. Belgaqua\_21-380-27\_4.

27 632 811





## CYO Bath shower set for bath rim or tile edge installation - Chrome

CYO

27 632 811

### Spare parts list

| No. | Item Number        | Name   | Quantity used | Delivery time |
|-----|--------------------|--|---------------|---------------|
| 1   | 27 702 980-00      | Hand shower set for bath rim or tile edge installation - Chrome  | 1             | 10            |
| 2   | 29 140 670-00      | Two-way diverter for bath rim or tile edge installation - Chrome | 1             | 10            |
| 3   | 90 11 70 013 00-00 | spout  | 1             | 10            |
| 4   | 90 19 70 011 00-00 | connection   | 1             | 10            |
| 5   | 09 14 10 009 90    | seal   | 1             | 2             |
| 6   | 09 30 01 117 90    | connection   | 1             | 2             |
| 7   | 09 23 01 057 90    | flow reducer   | 1             | 2             |
| 8   | 04 23 10 044 09 90 | fixing set   | 1             | 2             |
| 9   | 90 31 20 087 00-00 | plug   | 1             | 10            |
| 10  | 90 31 11 063 00 90 | pin  | 1             | 2             |
| 11  | 09 20 67 007-00    | handle   | 1             | 10            |
| 12  | 09 28 30 037-00    | cover  | 1             | 10            |
| 13  | 09 31 11 044 90    | pin  | 1             | 2             |
| 14  | 09 27 67 016-00    | rosette  | 1             | 10            |
| 15  | 09 24 04 448 90    | nut  | 1             | 2             |
| 16  | 90 15 05 039 00 90 | cartridge  | 1             | 2             |
| 17  | 09 14 10 201 90    | seal   | 2             | 2             |
| 18  | 09 30 11 060 90    | disc   | 1             | 2             |
| 19  | 04 23 10 044 02 90 | fixing set   | 1             | 2             |
| 20  | 04 23 30 041 00 90 | threaded connector   | 1             | 2             |
| 21  | 04 30 04 021 00 90 | hose   | 2             | 2             |
| 22  | 09 24 03 185-00    | nipple   | 2             | 10            |
| 23  | 09 14 05 004 90    | seal   | 2             | 2             |